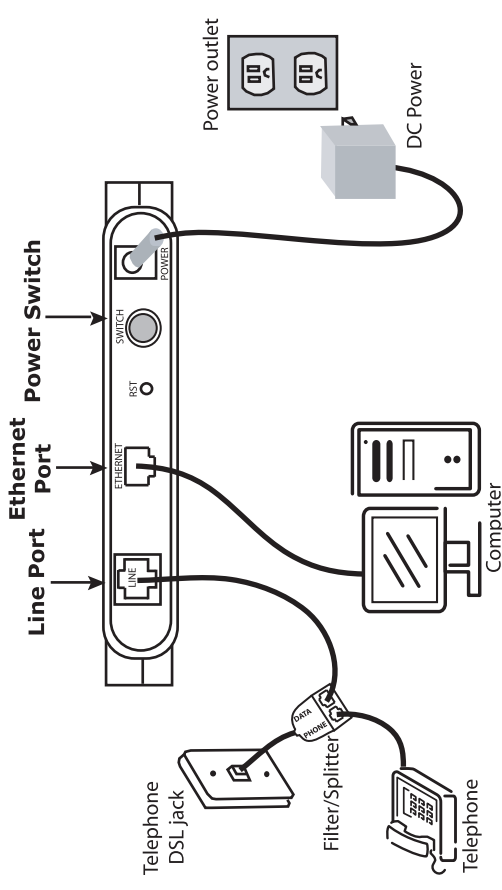


Aeneas

Internet Telephone
1 Port Modem

When all of your connections are made, your connections should look like this:

Rear View



Quick Installation Instructions

1. Connect one end of the Telephone cable to the LINE port of Modem and the other end to the Filter/Splitter.
2. Use an RJ-45 cable (larger diameter ivory cable) to connect one end to an ETHERNET port of modem and the other end to the LAN or a PC with an Ethernet card installed.
3. Plug in the AC adaptor to the AC power socket, and then connect the DC jack to the POWER inlet of modem. Push the SWITCH button to turn it on.
4. On the front of your modem you should have a red power light, a yellow link light a green data light, and a green PC light.

Make sure all your connected devices are turned on. Verify that the LEDs on the front of the device are lit. If they are not, verify that you are using the proper cables. Ensure that all other devices connected to the same telephone line as your router have a line filter connected between them and the wall socket.

NOTE: You will need an extra hub or switch if more Ethernet ports are needed.

Any additional devices such as cordless phones, answering machines, cable boxes, etc. require an additional filter. **If filters are not on additional devices it can cause failure of DSL Service.**

Technical Support:

If you have any questions or run into any difficulty, please call Aeneas technicians at 731.554.9200 or e-mail helpdesk@aeneas.com

Front View

